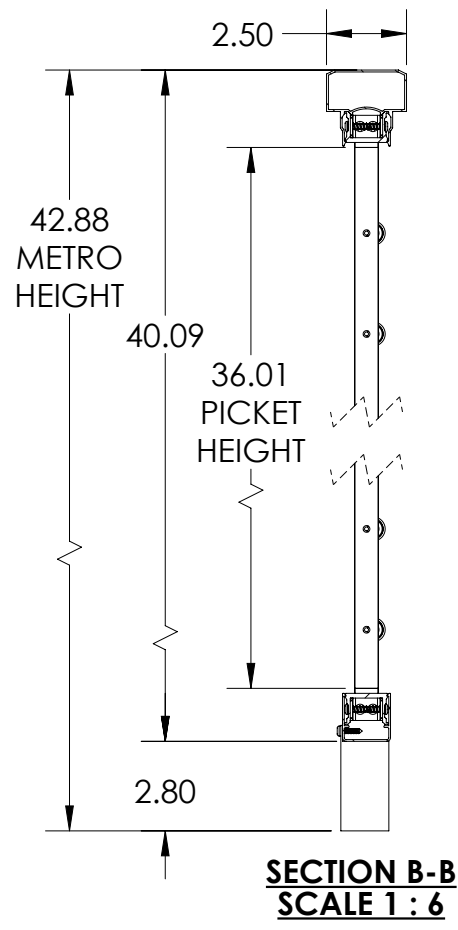
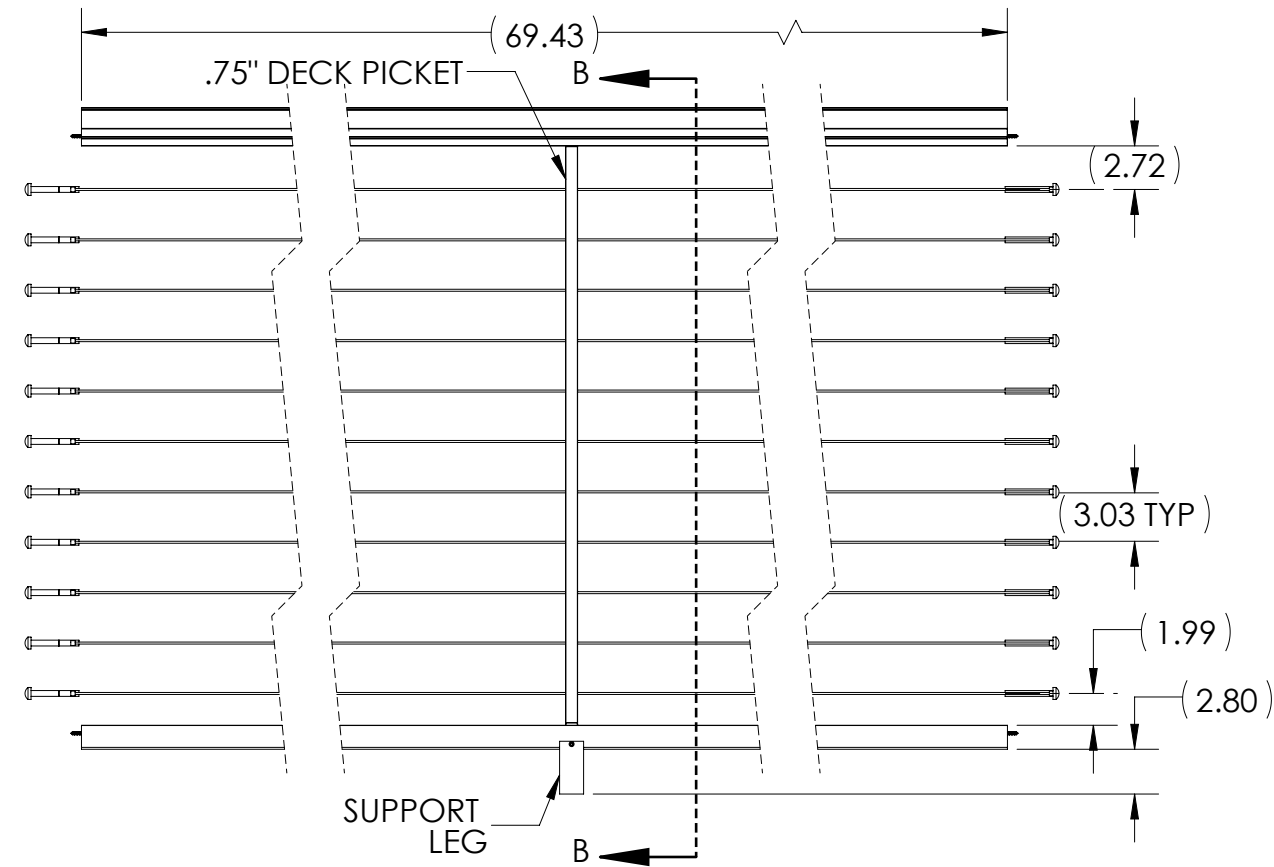
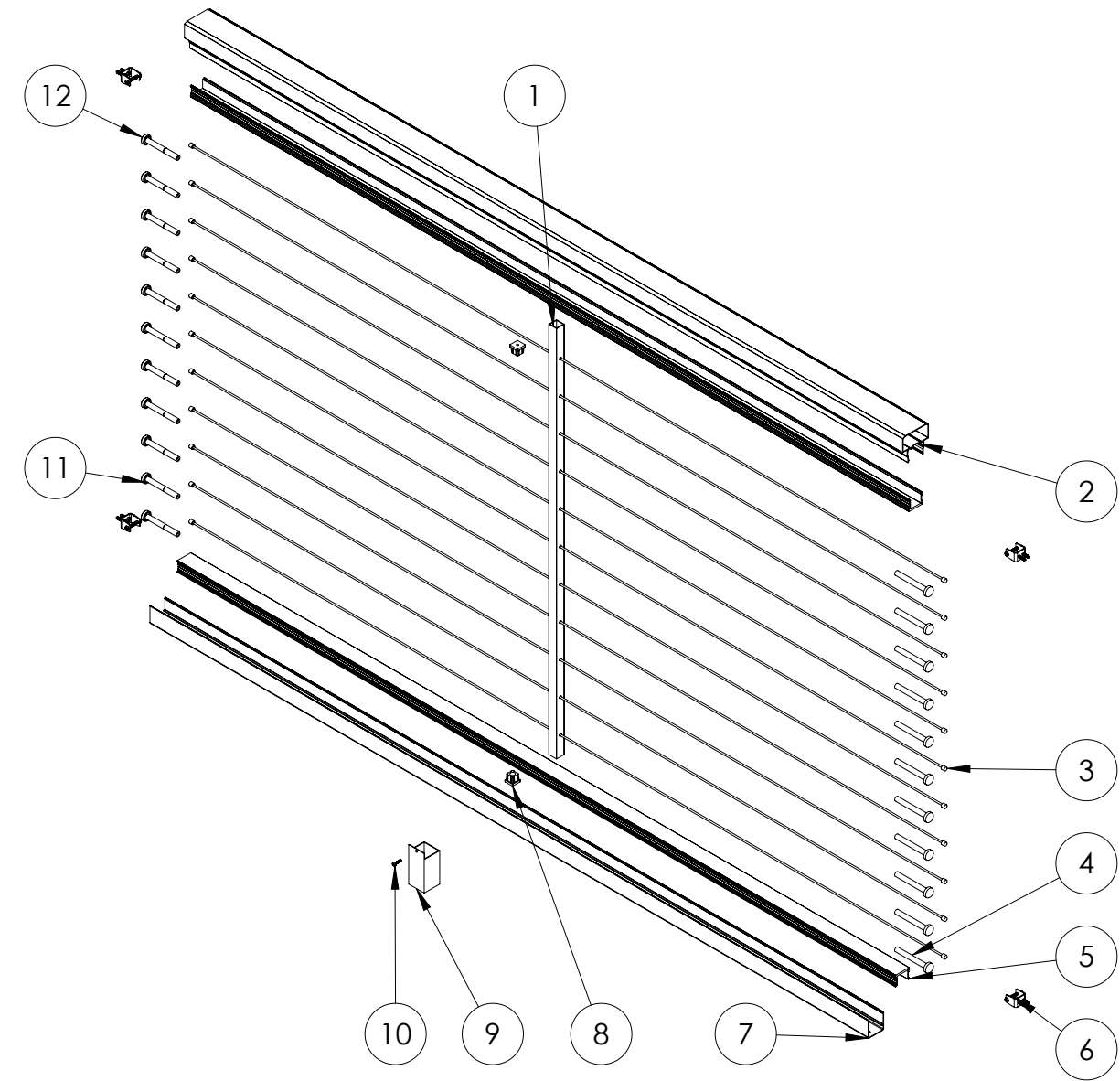


| ITEM NO. | PART NUMBER | DESCRIPTION | QTY. |
|----------|-------------|---|------|
| 1 | NP063500 | HORIZONTAL CABLE PICKET | 1 |
| 2 | BR093100 | METRO TOP RAIL | 1 |
| 3 | CR004100 | STAINLESS STEEL CABLE | 11 |
| 4 | CR004002 | 1/8" T-316 THREADED STUD RECEIVER | 11 |
| 5 | NC063100 | H-CHANNEL DECK | 2 |
| 6 | CL09410 | STRAIGHT CLIP KIT | 4 |
| 7 | SH093106 | BOTTOM SNAP 6FT | 1 |
| 8 | CR004301 | POINTE PLATE | 2 |
| 9 | SL09402 | SUPPORT LEG | 1 |
| 10 | ST09934 | #8 X .75" TEK SCREW COLOR CODED | 1 |
| 11 | CR004001 | 1/8" T-316 Cable Receiver | 11 |
| 12 | CR025001 | T-316 Bright Polished Fast Fitting Dome Cap | 22 |

| REVISIONS - BALLOONS DENOTE CHANGES | | | |
|-------------------------------------|-------------|------------|----------|
| REV. | DESCRIPTION | DATE | APPROVED |
| A | | 03/12/2024 | ZACH |



| | | | | |
|-----------------------------|--|---|---------------|--|
| UNLESS OTHERWISE SPECIFIED: | | NAME | DATE | |
| DIMENSIONS ARE IN INCHES | | DRAWN | VINH 03/12/24 | |
| TOLERANCES: | | CHECKED | | TITLE: SHOP DRAWING, METRO TOP RAIL, 6' CABLE SECTION, FULL FRAME KIT |
| SURFACE FINISH: 125 RMS | | ENG APPR. | | |
| ANGULAR: ±.5 DEG | | MFG APPR. | | |
| LINEAR: .X ±.02 | | INTERPRET GEOMETRIC TOLERANCING PER: ASME Y14.5-2009 | | SIZE DWG. NO. B |
| .XX ±.010 .XXX ±.005 | | PROPRIETARY AND CONFIDENTIAL THE INFORMATION CONTAINED IN THIS DRAWING IS THE SOLE PROPERTY OF UltraLox. ANY REPRODUCTION IN PART OR AS A WHOLE WITHOUT THE WRITTEN PERMISSION OF UltraLox. | | |
| THIRD ANGLE PROJECTION: | | SCALE: 1:10 WEIGHT: | | SHEET 1 OF 1 |
| MATERIAL | | DO NOT SCALE DRAWING | | |
| FINISH | | | | |